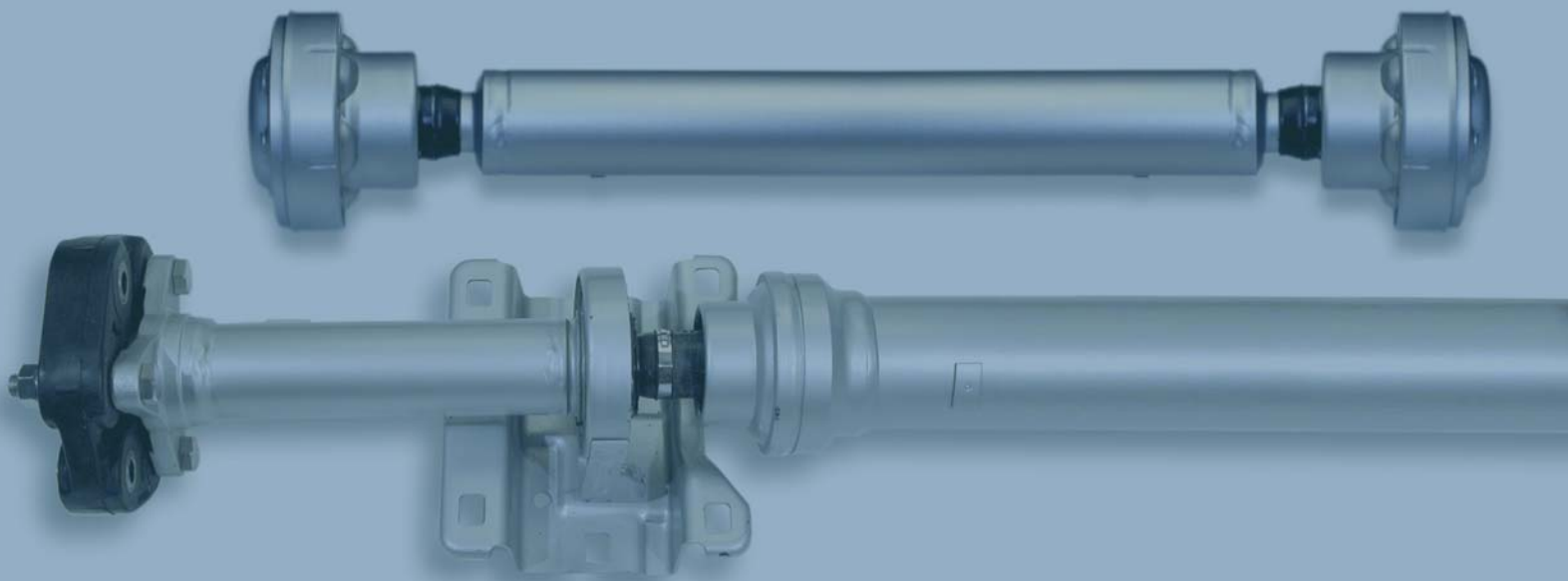




Propshafts



Edition 2008



Original GKN Parts

SPIDAN[®]
Original GKN Parts

Uni-Cardan[®]
Original GKN Parts

www.gknservice.com

Chrysler

Grand Cherokee	3
Voyager	3

Daihatsu

Daihatsu	4
----------	---

Fiat

Fiat Panda 4x4	5
----------------	---

Ford

Transit	6-7
---------	-----

Landrover

Landrover	8-10
-----------	------

Mercedes

207 A 410	11-12
Sprinter	13-15
Vito / Viano	15

Mitsubishi

Canter	16-17
--------	-------

Nissan

Serena, Cargo	18
Cabstar / Atleon	18-20
Terrano	20-21
Navara	22
Cabstar II	23-24

Piaggio

Porter	25
--------	----

Porsche

Cayenne	26
---------	----

Renault

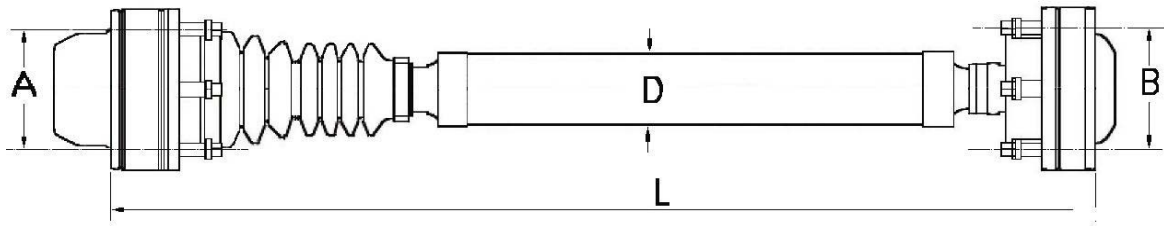
Kangoo 4x4	27
Maxity	28-29

Suzuki

Samurai	30
Vitara	30

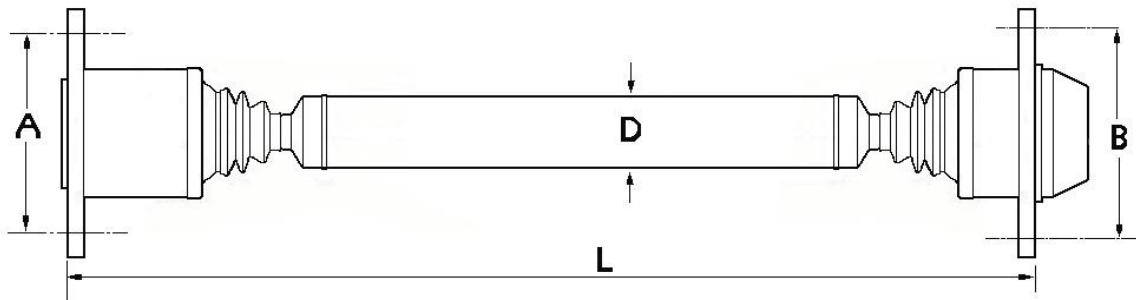
Volkswagen

Touareg	31
LT	32
T4	33-35
T5	36-37
Sharan	38



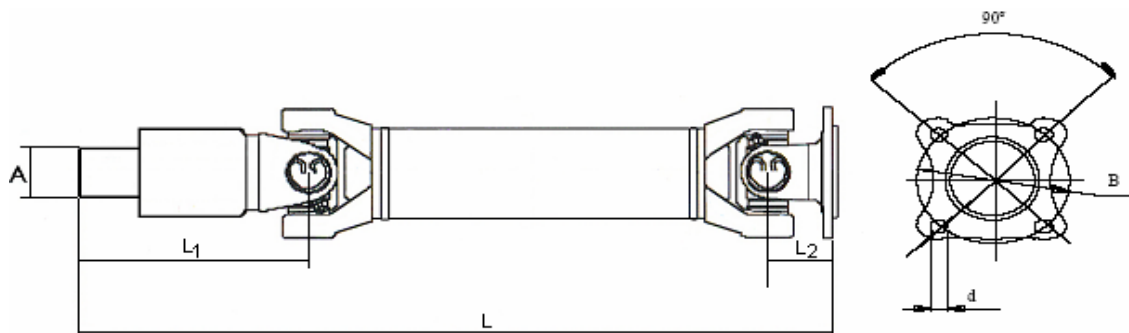
Grand Cherokee

GKN part No.	OE-part No.	L	D	A	B	notice
28080	520 994 98AE	791	45,7	86	86	
28081	520 994 99AG	804	45,7	86	86	
28082	520 994 97AE	830	45,7	86	86	



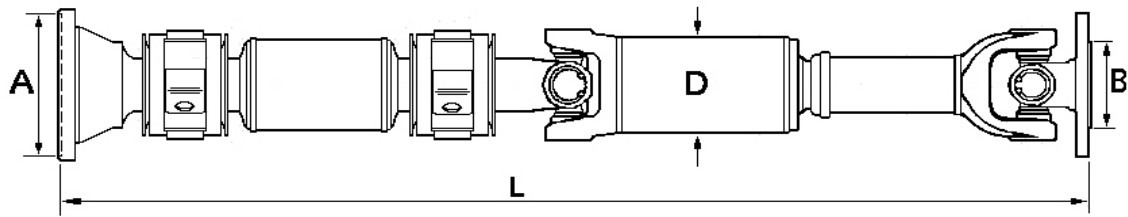
Voyager

GKN part No.	OE-part No.	L	D	A	B	notice
28089	4641095	1397	50,8	117	96	NEW
28090	4641094	1220	50,8	117	96	NEW



Daihatsu

GKN part No.	OE-part No.	L	A	B	L1	L2	4 x d	spline	notice
27900	615344	445,5	29	80,6	131,5	43	4 x 10,35	Ø22 x 21 x M1	old - OE No: 37110-87Z22-A
27901	615338	497,5	29	80,6	131,5	43	4 x 10,35	Ø22 x 21 x M1	old -OE No: 37110-87Z19-A
27902	615339	515,5	29	80,6	131,5	43	4 x 10,35	Ø22 x 21 x M1	old - OE No: 37110-87Z24
27903	615340	625,5	29	80,6	131,5	43	4 x 10,35	Ø22 x 21 x M1	old - OE No: 565333
27904	615341	640,5	29	80,6	131,5	43	4 x 10,35	Ø22 x 21 x M1	old - OE No: 565341

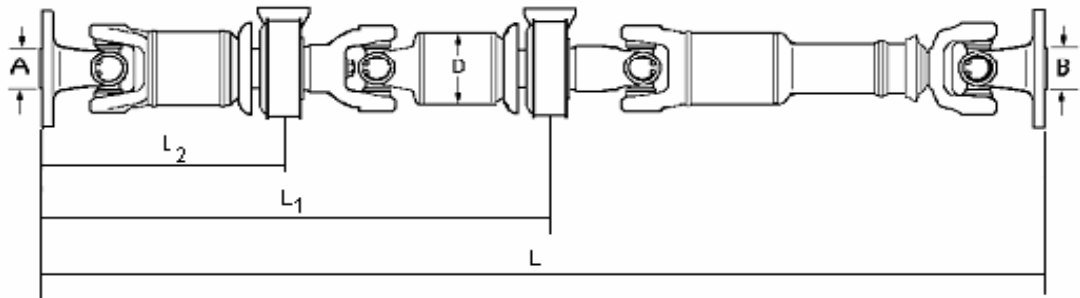


Fiat Panda 4x4

GKN part No.	OE-part No.	L	A	B	D	notice
27905	46307205	1041	100	57	51	

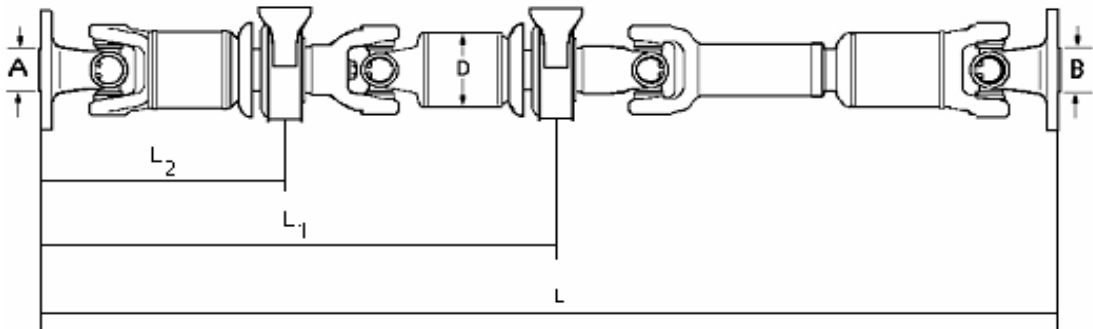
Light Vehicle Propshafts

Ford



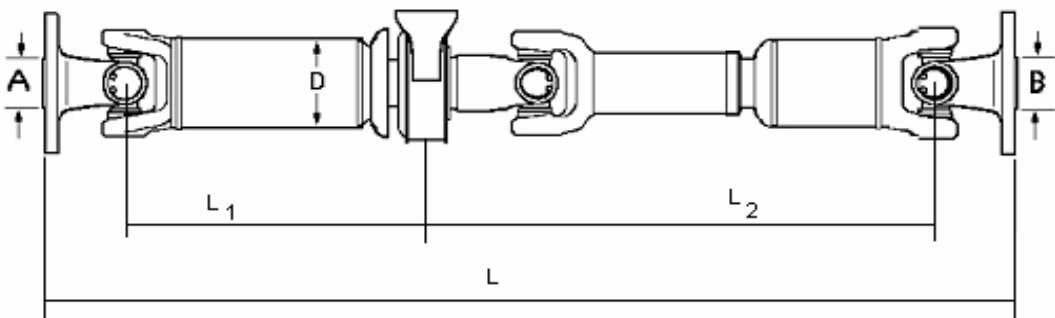
Ford Transit

GKN part No.	OE-part No.	L	L ₁	L ₂	A	B	D	notice
27906	Div	2673	1478,5	858	40	40	76	
27907	92VB4K357LB	2673	1478,5	858	40	40	89	



Ford Transit

GKN part No.	OE-part No.	L	L ₁	L ₂	A	B	notice
27908	92VT-4K357-A1C	2688	1482	863	40	56	flange: SAE120-4x12,3

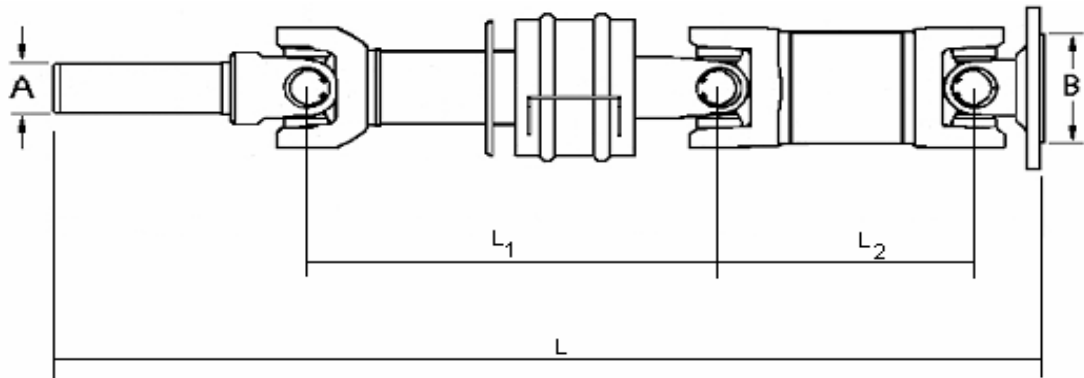


Ford Transit

GKN part No.	OE-part No.	L	L ₁	L ₂	A	B	notice
27909	92VT-4K145-B1A	1985	839	1065	40	56	flange: SAE120-4x12,3

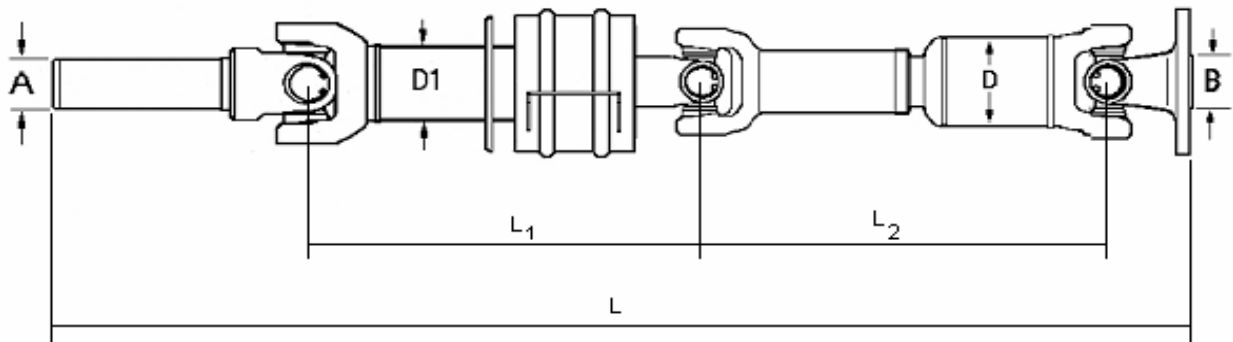
Light Vehicle Propshafts

Ford



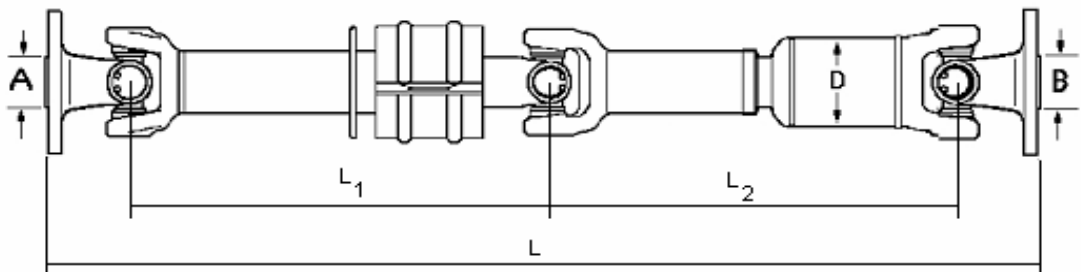
Ford Transit

GKN part No.	OE-part No.	L	L ₁	L ₂	A	B	notice
27910	90PT-4062-DA	1725	525	1006	35	56	flange: SAE 109,5-4x10,4
27911	Div	1795	763	838	35	56	flange: SAE 109,5-4x10,4
27912	Div	1850	818	838	35	56	flange: SAE 109,5-4x10,4



Ford Transit

GKN part No.	OE-part No.	L	L ₁	L ₂	A	B	notice
27913	Div	1790	776	819	35	56	flange: SAE 109,5-4x10,4

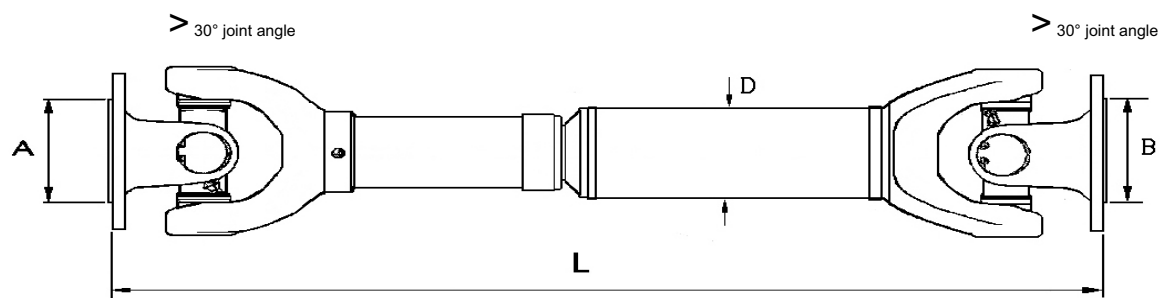


Ford Transit

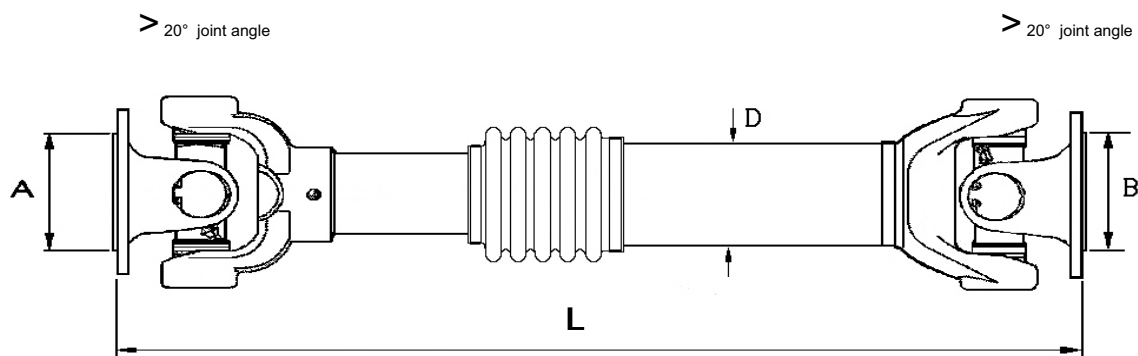
GKN part No.	OE-part No.	L	L ₁	L ₂	A	B	notice
27914	88VB4K145-AB	1866	907	877	40	56	flange: SAE 109,5-4x10,4

Light Vehicle Propshafts

Land Rover



GKN part No.	OE-part No.	L	A	B	50	
27915	571973	852	60 30° joint angle	60 30° joint angle	51	Range Rover; rear



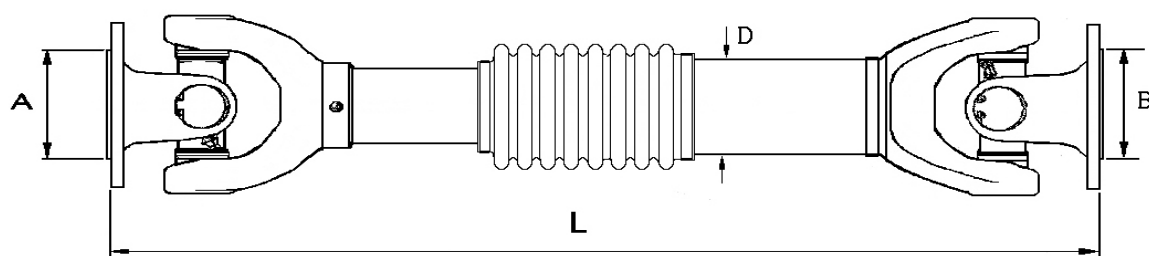
GKN part No.	OE-part No.	L	A	B	D	notice
27916	553000	580	60 20° joint angle	60 20° joint angle	51	Series 3 ;front
27917	FRC 6243	605	60 20° joint angle	60 20° joint angle	51	LR 90; front
27918	571955	620	60 20° joint angle	60 20° joint angle	51	Range Rover; front
27919	FRC 4799	620	60 20° joint angle	60 20° joint angle	51	LR 110; front
27920	FRC 5566	650	60 20° joint angle	60 20° joint angle	51	LR 110; front

Light Vehicle Propshafts

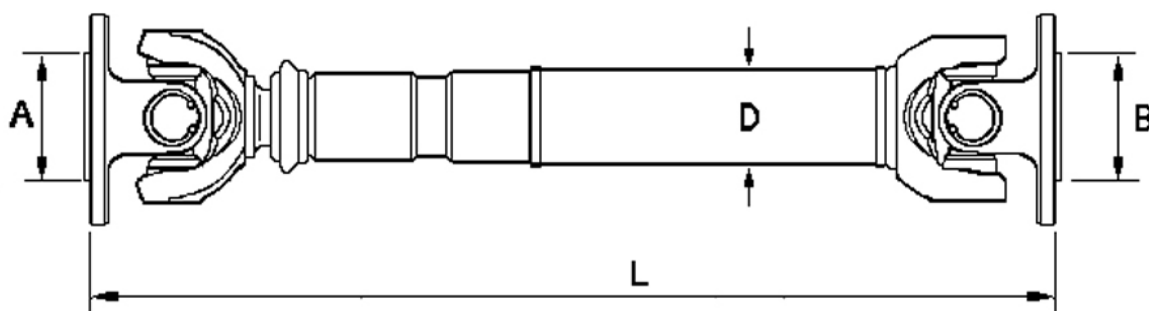
Land Rover

> 30° joint angle

> 30° joint angle

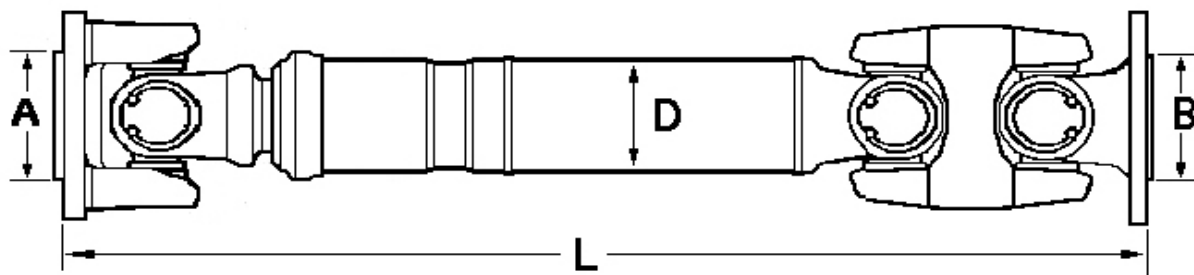


GKN part No.	OE-part No.	L	A	B	D	notice
27922	591278	528	60 30° joint angle	60 30° joint angle	51	Serie 3; front
27923	594361	618	60 30° joint angle	60 30° joint angle	51	Serie 3; front



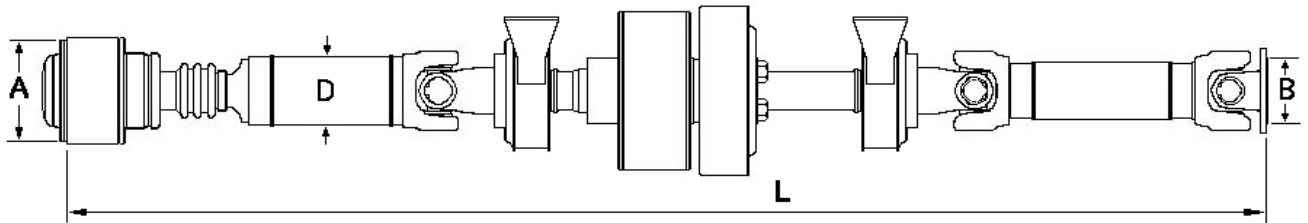
Defender

GKN part No.	OE-part No.	L	A	B	D	notice
27924	FRC 8386	604	60	60	51	Defender front
27925	FRC 8390	650	60	60	51	Defender front
27926	FRC 8392	635	60	60	51	Defender 90 rear
27927	FRC 8387	861	60	60	51	Defender front
27930	TVB 100610	604	60	60	51	Defender front



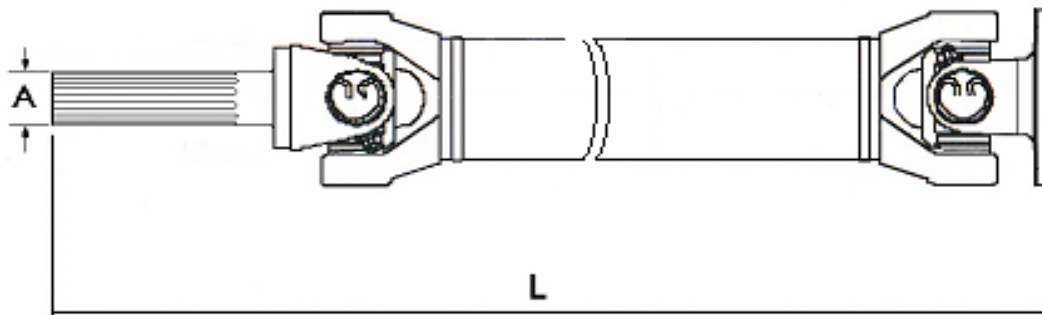
Discovery

GKN part No.	OE-part No.	L	A	B	D	notice
28088	TVB 000100	604	60	65	50	front NEW!



Freelander

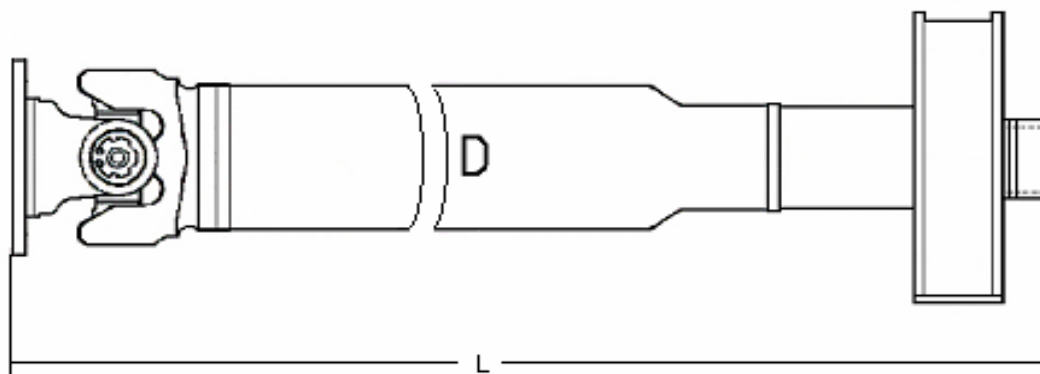
GKN part No.	OE-part No.	L	A	B	D	notice
28087	TVB 000170	2010	95	57	60	front NEW!



Mercedes 207 A 410

GKN part No.	OE-part No.	L	spline		flange		Ø tube	notice
			Ø	Ø	number of holes	Ø hole		
27931	A6014100102	1684	34	90	6	8	90	
27932	A6014100202	1384	34	90	6	8	70	
28066	A6014109501	1204	34	90	6	8	90	
28069	A6114100902	1368	34	90	6	10	70	
28070	A6114101002	1668	34	90	6	10	90	
28072	A6114101102	1632	34	90	6	10	90	
28074	A6114101202	1332	34	90	6	10	70	
28075	A6114101502	1646	37	90	6	10	90	
28076	A6114101602	1346	37	90	6	10	70	
28077	A6114101802	1646	37	90	6	10	90	
28078	A6114101902	1346	37	90	6	10	70	

tube diameter may vary

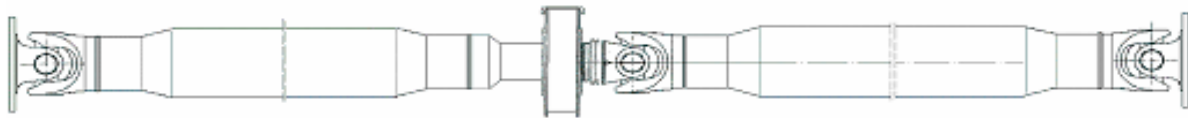


Mercedes 207 A 410

GKN part No.	OE-part No.	L	splines		flange		Ø tube	notice
			Ø	Ø	number of holes	Ø hole		
27933	A6114105501	665	34	90	6	10	50	
27934	A6114107301	1038	34	90	6	10	70	
27935	A6114107401	716	34	90	6	10	70	
27936	A6114107501	682	34	90	6	10	50	
27937	A6114100417	690	34	90	6	10	90	
27938	A6114100517	1048	34	90	6	10	90	
27939	A6014109401	850	34	90	6	8	70	
28067	A6114100717	1041	37	90	6	10	70	
28068	A6114100817	683	37	90	6	10	70	
28071	A6114101017	1041	37	90	6	10	70	
28073	A6114101117	683	37	90	6	10	70	
28079	A6114105601	1023	34	90	6	10	70	

tube diameter may vary

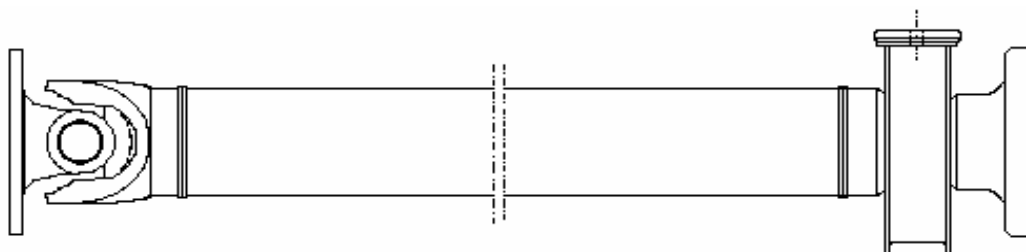




Mercedes Sprinter

GKN part No.	OE-part No.	L	flange			Ø tube	notice
			Ø	number of holes	Ø hole		
27969	A9014105606	2144	120	4	10	70	
27948	A9014106506	2005	120	4	10	70	
27949	A9014106406	2076	120	4	10	70	
27950	A9034102306	2140	120	4	10		
27951	A9014105906	2176	120	4	10	70	
27952	A9014107106	2464	120	4	10	70	
27953	A9034102806	2178	120	4	10	90	
27954	A9014107606	2627	120	4	10	90	
27955	A9014107506	2648	120	4	10	90	
27956	A9014107406	2724	120	4	10	90	
27957	A9014106606	2248	120	4	10	70	
27958	A9034102406	1775	120	4	10	70	
27959	A9034102606	1775	120	4	10	70 / 90	
27960	A9034102906	2248	120	4	10	90	
27961	A9014106706	1598	120	4	10		
27963	A9014104006	2593	120	4	10	90	
27964	A9014106906	1708	120	4	10	70	
27965	A9014107006	1653	120	4	10	70	
27966	A9014107306	2255	120	4	10	70 / 90	
27967	A9014104806	2690	120	4	10		
27968	A9014105506	2045	120	4	10		
27970	A9014107806	2068	120	4	10	70/90	
27971	A9014108106	2724	120	4	10	90 / 120	
27972	A9014108306	2627	120	4	10	90 / 120	
27973	A9014108406	2548	120	4	10	90 / 120	
27974	A9014108506	2542	120	4	10	90	
27975	A9014108606	1980	120	4	10	70	
27976	A9014108706	2525	120	4	10	90	
27977	A9014108806	2507	120	4	10		
27978	A9014108906	2123	120	4	10	70	
27981	A9034102506	2290	120	4	10	70	
27982	A9034102706	1708	120	4	10		
27983	A9034103006	2257	120	4	10		
27984	A9034103306	2069	120	4	10	90	

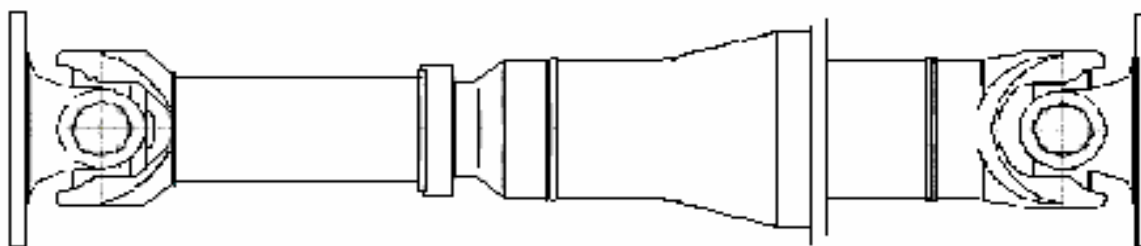
tube diameter may vary



Mercedes Sprinter

GKN part No.	OE-part No.	L	flange			Ø tube	notice
			Ø	number of holes	Ø hole		
27945	A9014101501	819	120	4	10	70	
27946	A9014101601	916	120	4	10	70	
27943	A9014102401	950	120	4	10	70	
27944	A9014102501	874	120	4	10		
27941	A9014102601	853	120	4	10	70	
27940	A9014102701	777	120	4	10	70	
27947	A9014103301	751	120	4	10	70	
27980	A9034100801	950	120	4	10		
27942	A9034101001	874	120	4	10	70	

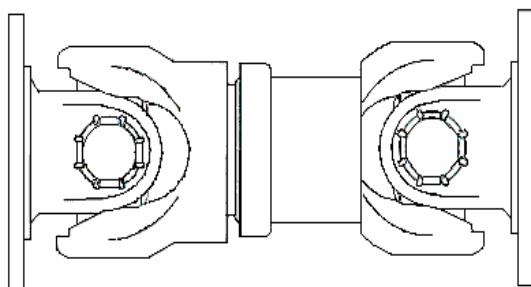
tube diameter may vary



Mercedes Sprinter

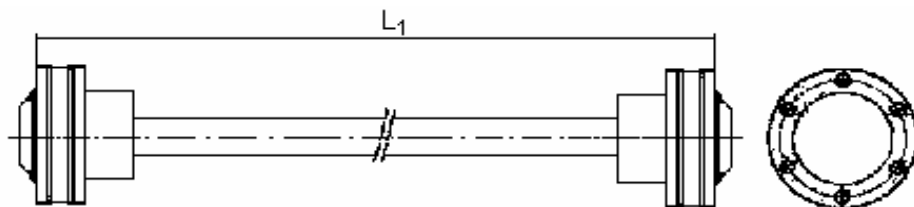
GKN part No.	OE-part No.	L	flange			Ø tube	notice
			Ø	number of holes	Ø hole		
27987	A9024101202	470	120	4	10	70	
27979	A9024102002	1535	120	4	10		

tube diameter may vary



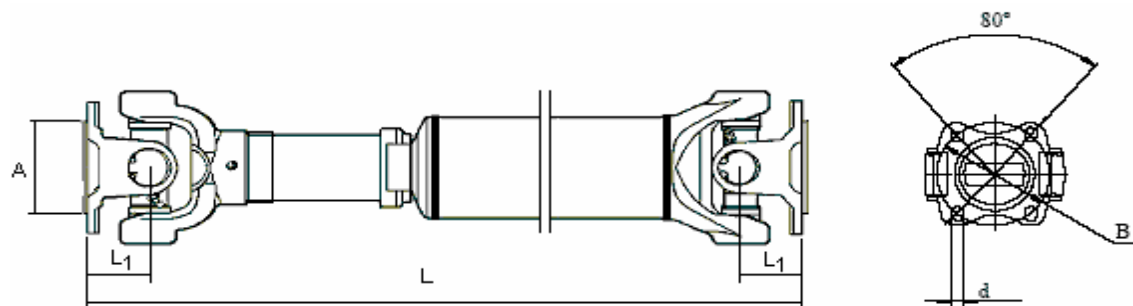
Mercedes Sprinter

GKN part No.	OE-part No.	L	flange			notice
			∅	number of holes	∅ hole	
27985	A9024100102	340	120	4	10	
27986	A9024100902	250	120	4	10	
27988	A9024101302	353	120	4	10	
27989	A9024101602	311	120	4	10	



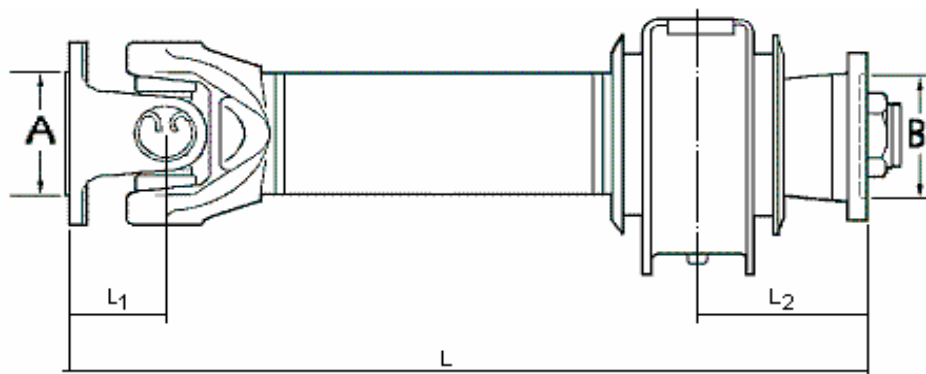
Mercedes Vito / Viano

GKN part No.	OE-part No.	L ₁	flange			notice
			∅	number of holes	∅ hole	
28083	A6393370010	430	103	6	8,2	manual transmission NEW!
28084	A6393370110	480	103	6	8,2	automatic transmission NEW!



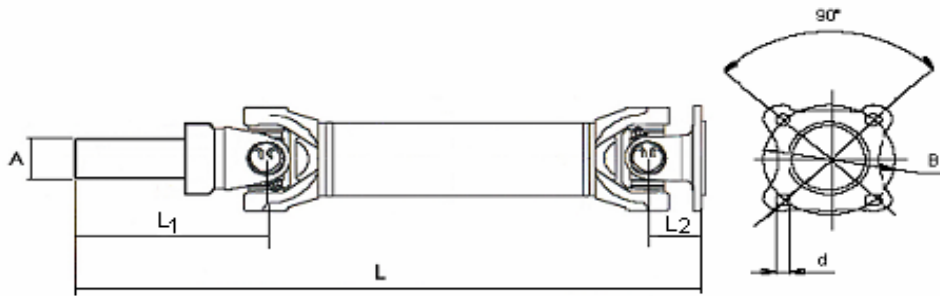
Mitsubishi Center

GKN part No.	OE-part No.	L	L1	A	B	4 x d	notice
27991	ML 130286	889	45	60	90	4 x 12,2	
27992	ML 130227	914	45	60	90	4 x 12,2	
27993	ML 130006	959	45	60	90	4 x 12,2	
27994	ML 130004	999	45	60	90	4 x 12,2	
27995	ML 130002	1069	45	60	90	4 x 12,2	
27996	ML 130009	1010	45	70	100	4 x 12,2	
27997	ML 130288	1140	45	70	100	4 x 12,2	
27998	ML 130011	1215	45	70	100	4 x 12,2	
27999	ML 130007	1230	45	70	100	4 x 12,2	
28000	ML 130013	1400	45	70	100	4 x 12,2	



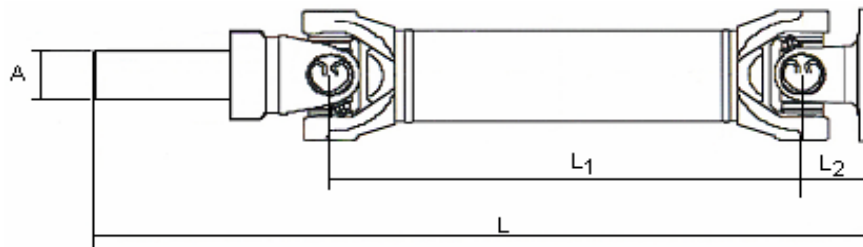
Mitsubishi Canter

GKN part No.	OE-part No.	L	L1	L2	A	B	4 x d	notice
28001	ML 130226	606,5	45	68	60	90	4 x 10,2	
28002	ML 130274	626,5	45	68	60	90	4 x 10,2	
28003	ML 130278	921,5	45	68	60	90	4 x 10,2	
28004	ML 130003	926,5	45	68	60	90	4 x 10,2	
28005	ML 130276	961,5	45	68	60	90	4 x 10,2	
28006	ML 130005	966,5	45	68	60	90	4 x 10,2	
28007	ML 130280	728	45	69	70	100	4 x 12,2	
28008	ML 130008	818	45	69	70	100	4 x 12,2	
28009	ML 130282	928	45	69	70	100	4 x 12,2	
28010	ML 130010	1018	45	69	70	100	4 x 12,2	
28011	ML 130284	1178	45	69	70	100	4 x 12,2	
28012	ML 130012	1273	45	69	70	100	4 x 12,2	



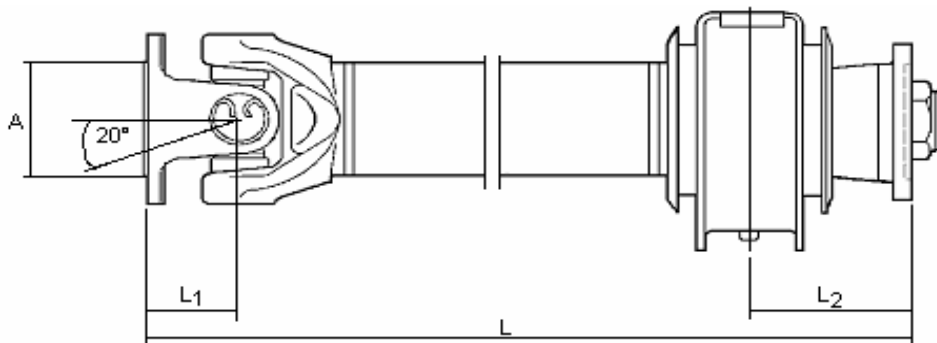
Nissan Serena, Cargo

GKN									
Part No.	OE-Part.No.	L	A	B	L2	L1	4xØ	spline	notice
28013	37000-7C000	738,5	35	81,25	43	150,5	4 x 10	Ø25x24xM1	
28014	37000-7C002	768,5	35	81,25	43	150,5	4 x 10	Ø25x24xM1	
28015	37000-7C003	833,5	35	81,25	43	150,5	4 x 10	Ø25x24xM1	
28016	37000-9C503	928,5	35	81,25	43	150,5	4 x 10	Ø25x24xM1	
28085	37000-7C001	673,5	35	81,25	43	150,5	4 x 10	Ø25x24xM1	NEW!



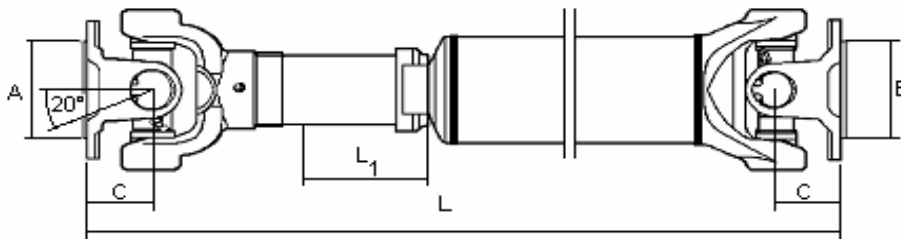
Nissan Cabstar

GKN						
Part No.	OE-Part.No.	L	A	L2	L1	notice
28017	37000-F3905	1094	35	43,5	899,5	



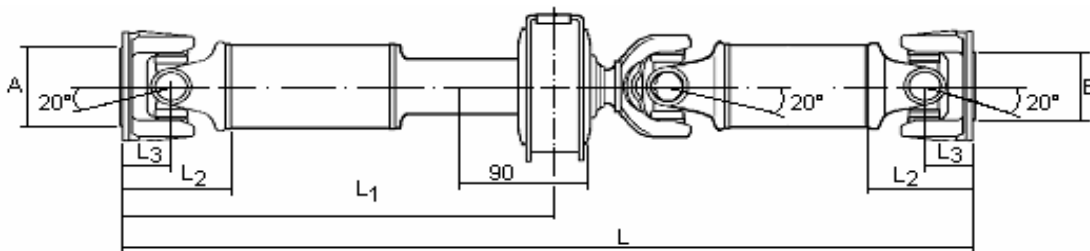
Nissan Cabstar

GKN							
Part No.	OE-Part.No.	L	A	L1	L2	4xØ	notice
28026	37200-F3901	1076	60,32	35	77,5	4 x 9,67	



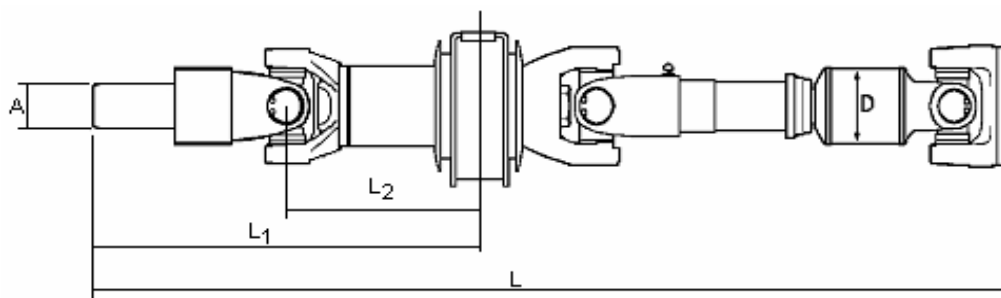
Nissan Cabstar / Atleon

GKN Part No.	OE-Part.No.	L	L1	A	B	C	4xØ	notice
28019	37300-F3904	961	55	60,32	60,32	35	4 x 9,67	Cabstar
28020	37300-F3901	977	55	60,32	60,32	35	4 x 9,67	Cabstar
28021	37300-F3902	1050	55	60,32	60,32	35	4 x 9,67	Cabstar
28022	37300-F3600	1063	55	60,32	60,32	35	4 x 9,67	Cabstar
28023	37300-F3903	1543	55	60,32	60,32	35	4 x 9,67	Cabstar
28024	37300-F3900	1557	55	60,32	60,32	35	4 x 9,67	Cabstar
28025	37300-9X502	1118	70	69,85	65	43,5	4 x 12	Atleon



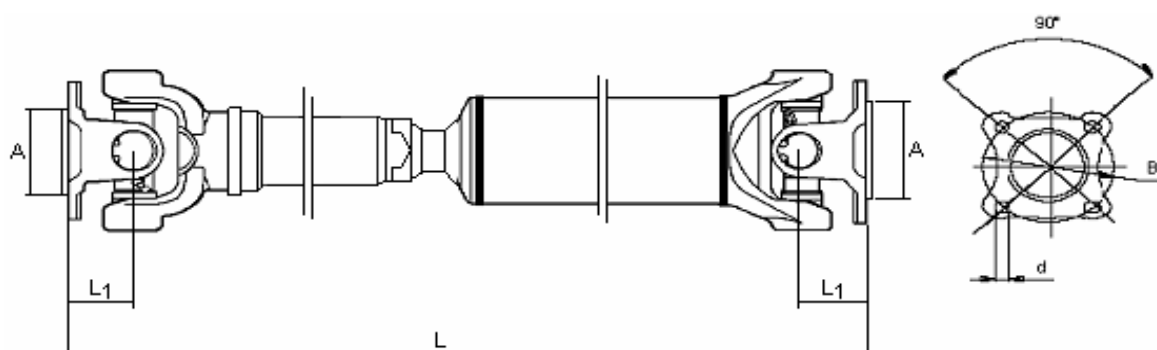
Nissan Cabstar / Atleon

GKN Part No.	OE-Part.No.	L	A	B	L1	L2	L3	4xØ	notice
28028	37000-9X611	1382	69,85	65	349,7	95	43,5	4 x 12	Cabstar
28029	37000-9X610	1436,1	69,85	65	365,6	95	43,5	4 x 12	Cabstar
28030	37000-9X607	1780	69,85	65	709,2	95	43,5	4 x 12	Cabstar
28035	37000-9X605	1833	69,85	65	709,2	95	43,5	4 x 12	Cabstar
28036	37000-9X608	2177	69,85	65	947,3	95	43,5	4 x 12	Cabstar
28037	37000-9X501	1502	69,85	65	623	95	43,5	4 x 12	Atleon
28038	37000-9X502	2006	69,85	65	964,3	95	43,5	4 x 12	Atleon



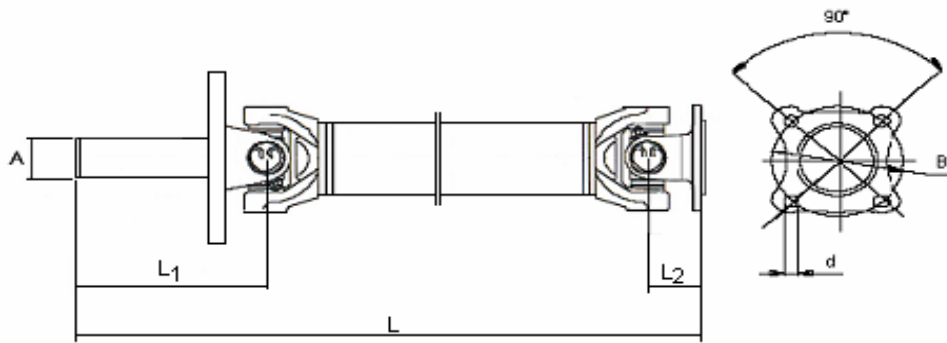
Nissan Cabstar

GKN							
Part No.	OE-Part.No.	L	A	L1	L2	4xØ	notice
28027	37000-F3904	2056	43,5	1002,5	852	4 x 12	
27962	37000-F3903	1562	46,5	764,5	659	4 x 12	



Nissan Terrano

GKN							
Part No.	OE-Part.No.	L	L1	A	B	4xØ	notice
28063	37000-2X900	616	43	50	81,25	4 x 10	
28064	37000-2X800	639	43	50	81,25	4 x 10	

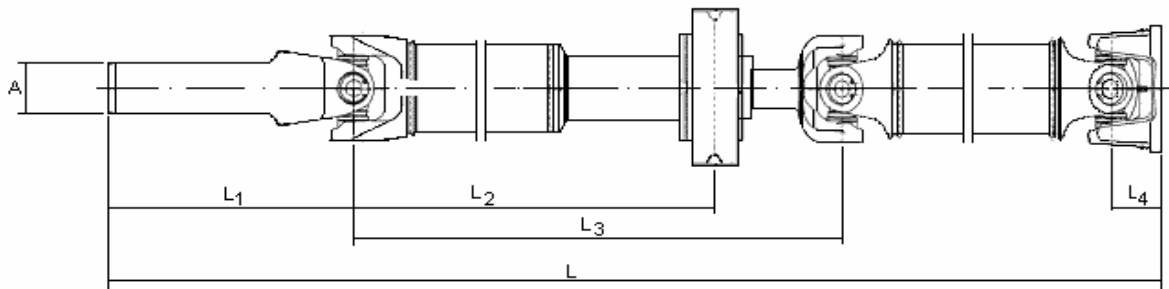


Nissan Terrano

GKN								
Part No.	OE-Part.No.	L	A	B	L1	L2	4xØ	notice
28057	37300-2X960	967,5	42	95	174	43,5	4 x 12	Ø32 x 30 x M1
28058	37300-2X920	1167,5	42	95	174	43,5	4 x 12	Ø32 x 30 x M1
28059	37300-2X910	986,5	42	95	174	43,5	4 x 12	Ø32 x 30 x M1
28060	37300-2X900	1186,5	42	95	174	43,5	4 x 12	Ø32 x 30 x M1
28061	37300-2X810	942,5	42	95	174	43,5	4 x 12	Ø32 x 30 x M1
28062	37300-2X800	1142,5	42	95	174	43,5	4 x 12	Ø32 x 30 x M1

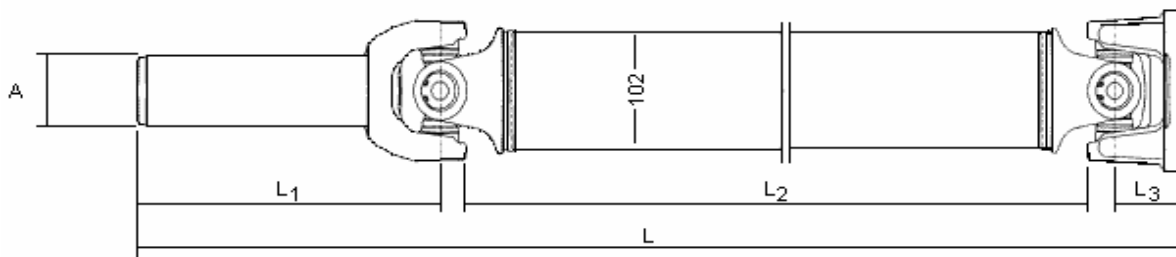
Light Vehicle Propshafts

Nissan



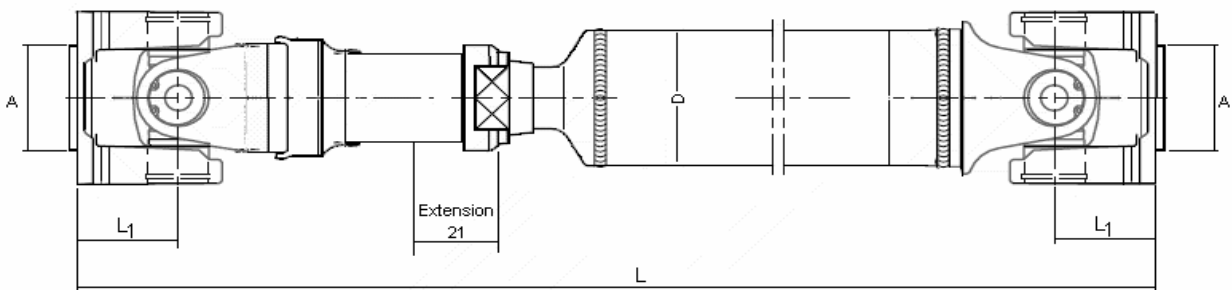
Nissan Navara

GKN Part No.	OE-Part.No.	L	L1	L2	L3	L4	A	notice
28031	37000-EB30C	1942	215	675	785	45	44	
28032	37000-EB32C	1949	155	742	852	45	44	



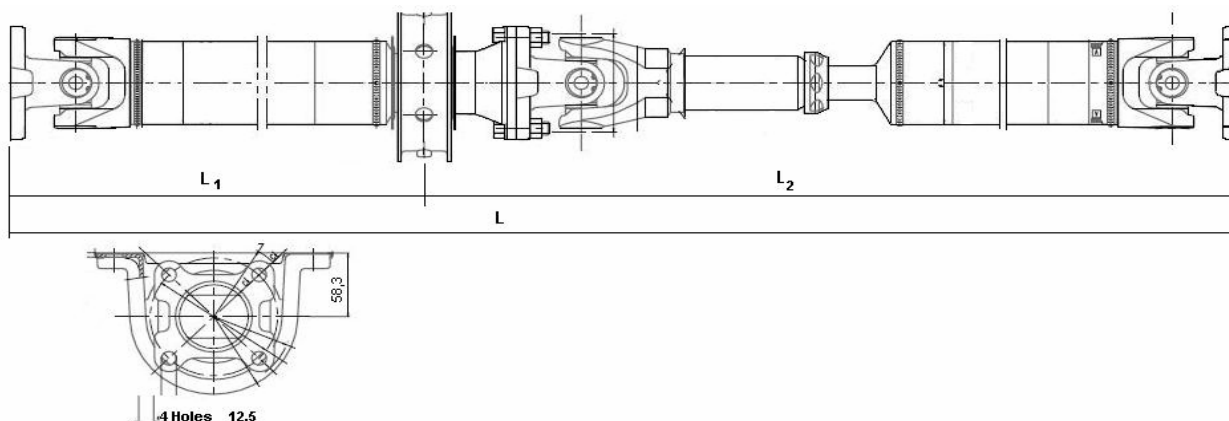
Nissan Navara

GKN Part No.	OE-Part.No.	L	L1	L2	L3	A	notice
28033	37300-EB401	1522,9	215	1239,8	41,1	44	
28034	37300-EB406	1522,9	215	1239,8	41,1	44	



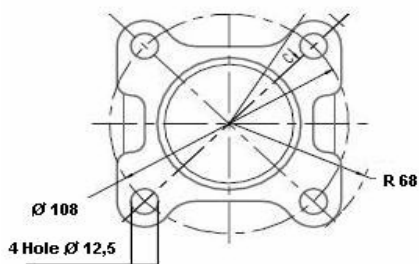
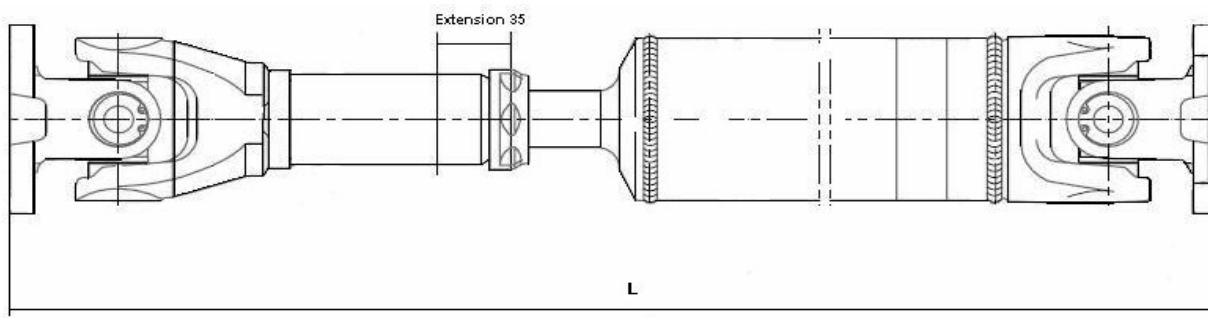
Nissan Navara

GKN Part No.	OE-Part.No.	L	L1	A	D	notice
28018	37200-EB300	808	45	50	65	



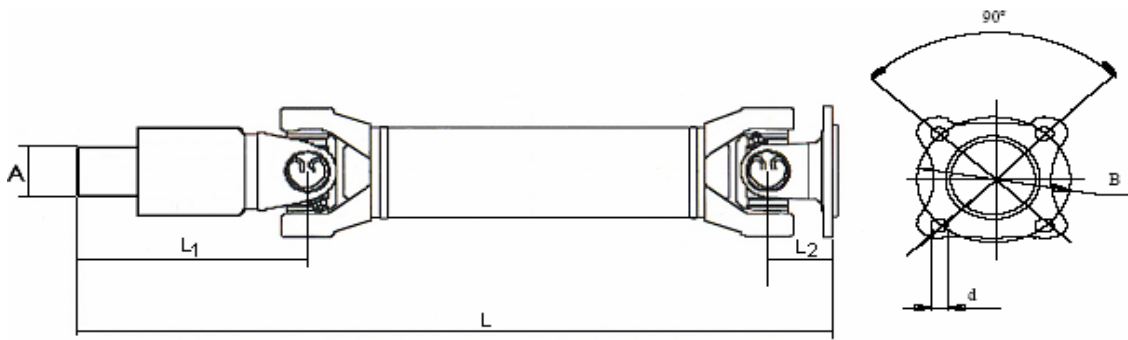
Nissan Cabstar II

GKN						
Part No.	OE-Part.No.	L	L1	L2	4xØ	notice
28092	37000-MB410	1446	566	880	12,5	<i>in preperation.</i>
28093	37000-MB420	1945	957	988	12,5	<i>in preperation.</i>
28095	37000-MB810	1377	497	880	12,5	<i>in preperation.</i>
28096	37000-MB820	1877	879	998	12,5	<i>in preperation.</i>
28099	37000-MB910	1367	498	869	12,5	<i>in preperation.</i>
28100	37000-MB911	1393	566	827	12,5	<i>in preperation.</i>
28101	37000-MB920	1865	879	986	12,5	<i>in preperation.</i>
28102	37000-MB921	1892	948	944	12,5	<i>in preperation.</i>



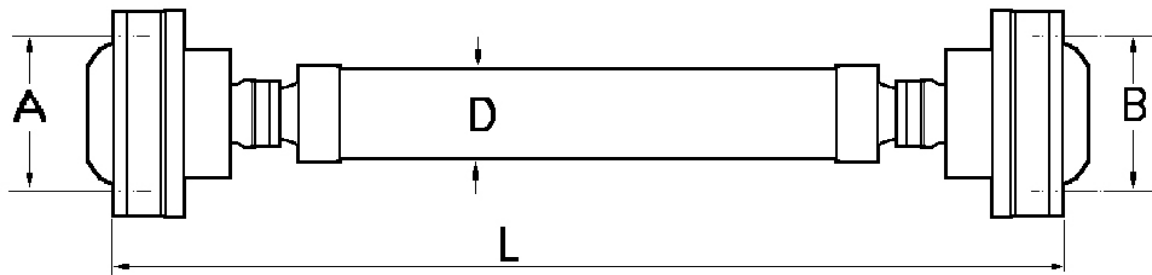
Nissan Cabstar II

GKN				
Part No.	OE-Part.No.	L	4xØ	notice
28097	37000-MB900	968	12,5	<i>in preperation.</i>
28098	37000-MB901	995	12,5	<i>in preperation.</i>
28091	37000-MB400	1047	12,5	<i>in preperation.</i>
28094	37000-MB800	979	12,5	<i>in preperation.</i>



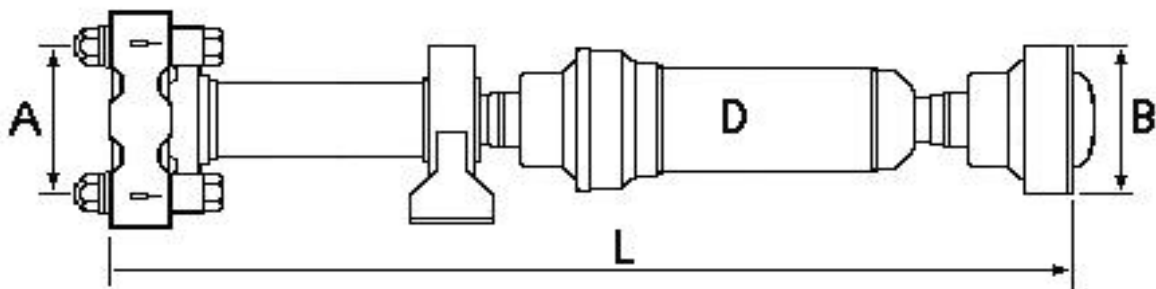
Piaggio Porter

GKN part No.	OE-part No.	L	A	B	L1	L2	4 x d	spline	notice
27900	615344	445,5	29	80,6	131,5	43	4 x 10,35	Ø22 x 21 x M1	old - OE No: 37110-87Z22-A
27901	615338	497,5	29	80,6	131,5	43	4 x 10,35	Ø22 x 21 x M1	old -OE No: 37110-87Z19-A
27902	615339	515,5	29	80,6	131,5	43	4 x 10,35	Ø22 x 21 x M1	old - OE No: 37110-87Z24
27903	615340	625,5	29	80,6	131,5	43	4 x 10,35	Ø22 x 21 x M1	old - OE No: 565333
27904	615341	640,5	29	80,6	131,5	43	4 x 10,35	Ø22 x 21 x M1	old - OE No: 565341



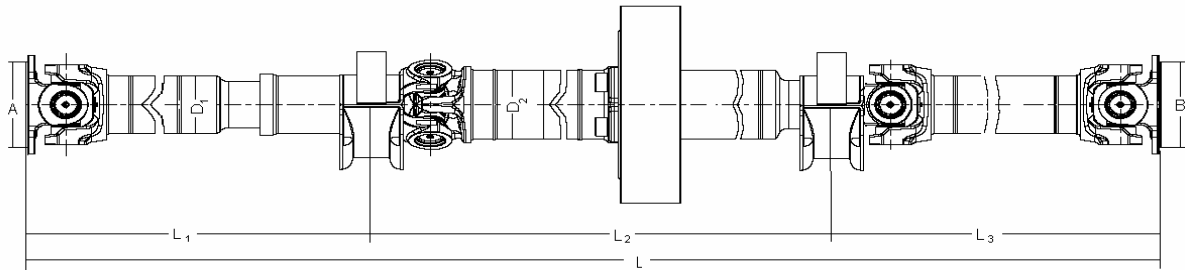
Porsche Cayenne

GKN Part No.	OE-Part.No.	L	A	B	D	notice
28052	7L0 521 101 A/B/C/D	631,9	86	86	50	
	7L6 521 101 D/F					



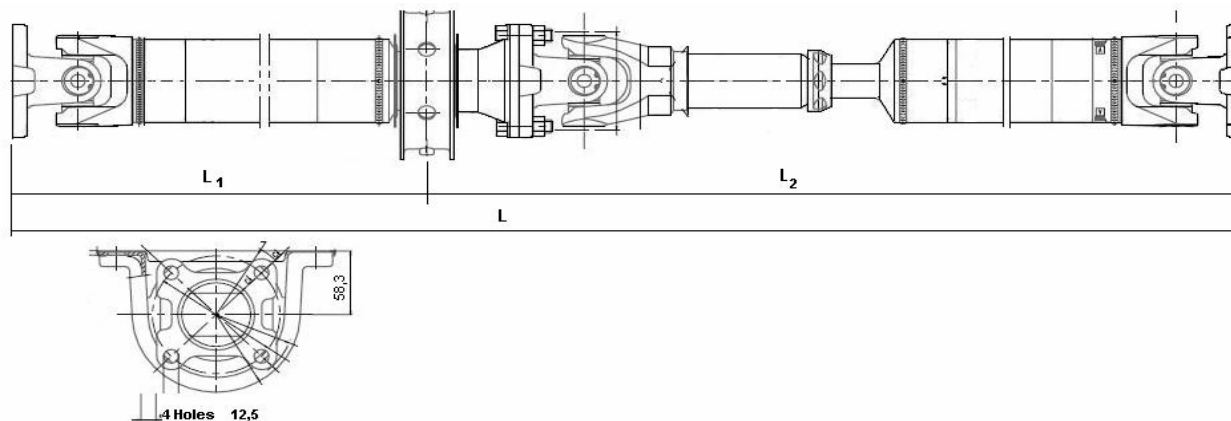
Porsche Cayenne

GKN Part No.	OE-Part.No.	L	A	B	D	notice
28054	7L6 521 102 G	1246	110	99.5	70	
	7L0 521 102 B/D/G/H					



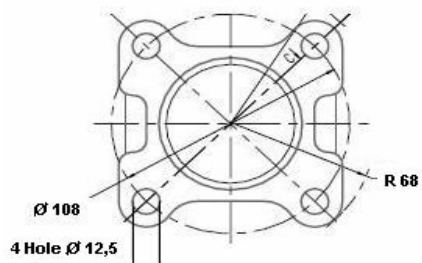
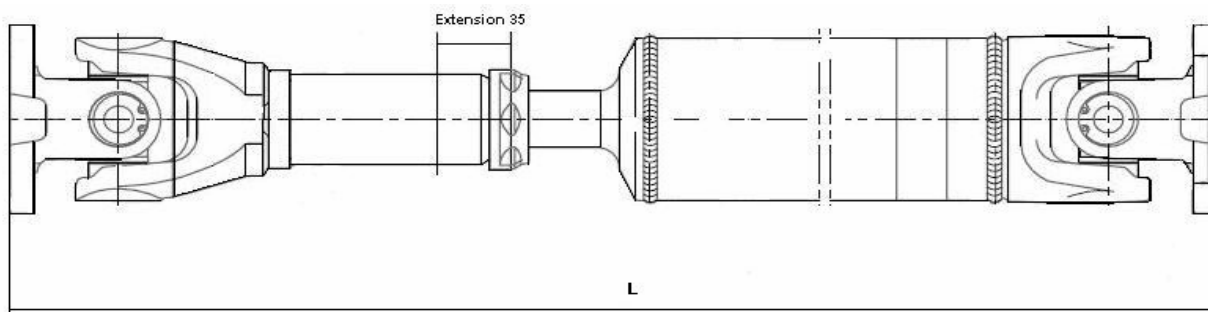
Renault Kangoo 4x4

GKN Part No.	OE-Part.No.	L	L ₁	L ₂	L ₃	A	B	D ₁	D ₂	notice
28039	8200149811	1978	680	753	545	91	91	50	60	



Renault Maxity

GKN Part No.	OE-Part.No.	L	L1	L2	4xØ	notice
28092	5001870966	1446	566	880	12,5	<i>in preperation.</i>
28093	5001870967	1945	957	988	12,5	<i>in preperation.</i>
28095	5001870969	1377	497	880	12,5	<i>in preperation.</i>
28096	5001870970	1877	879	998	12,5	<i>in preperation.</i>
28099	5001870973	1367	498	869	12,5	<i>in preperation.</i>
28100	5001870974	1393	566	827	12,5	<i>in preperation.</i>
28101	5001870975	1865	879	986	12,5	<i>in preperation.</i>
28102	5001870976	1892	948	944	12,5	<i>in preperation.</i>

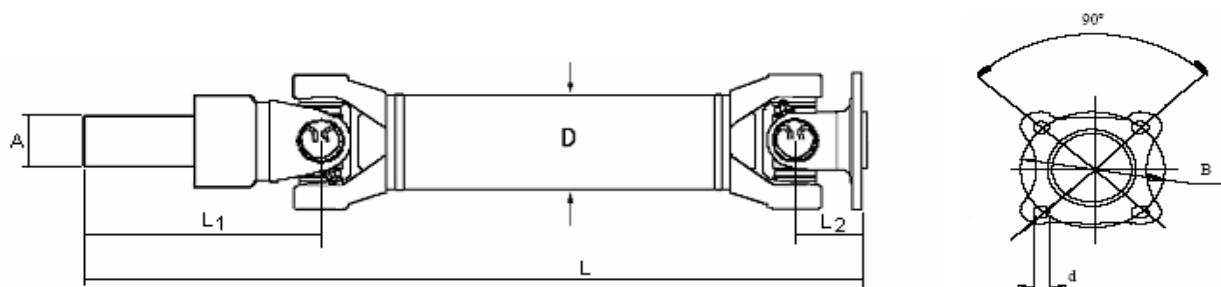


Renault Maxity

GKN	Part				
No.	OE-Part.No.	L	4xØ	notice	
28097	5001870971	968	12,5	<i>in preperation.</i>	
28098	5001870972	995	12,5	<i>in preperation.</i>	
28091	5001870965	1047	12,5	<i>in preperation.</i>	
28094	5001870968	979	12,5	<i>in preperation.</i>	

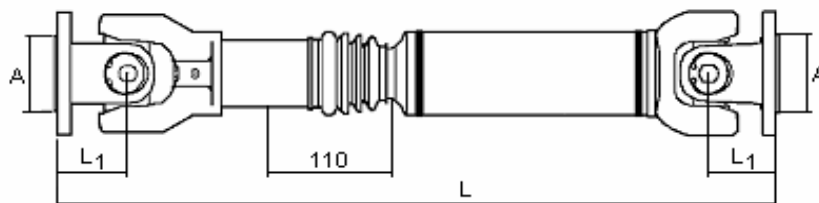
Light Vehicle Propshafts

Suzuki



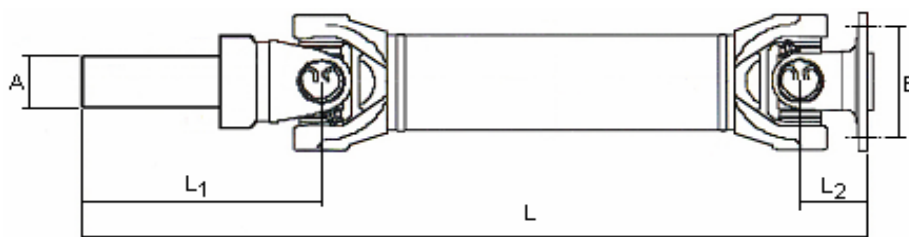
Suzuki Samurai

GKN Part No.	OE-Part.No.	L	A	L1	L2	B	4xØ	spline
28042	27101-84CB0	321	32	113	40	79,19	4 x 8,2	24 x 23 x M1
28043	27101-C-80401	382	32	113	40	79,19	4 x 8,2	24 x 23 x M1
28044	27101-84C00	403	32	113	40	79,19	4 x 8,2	24 x 23 x M1



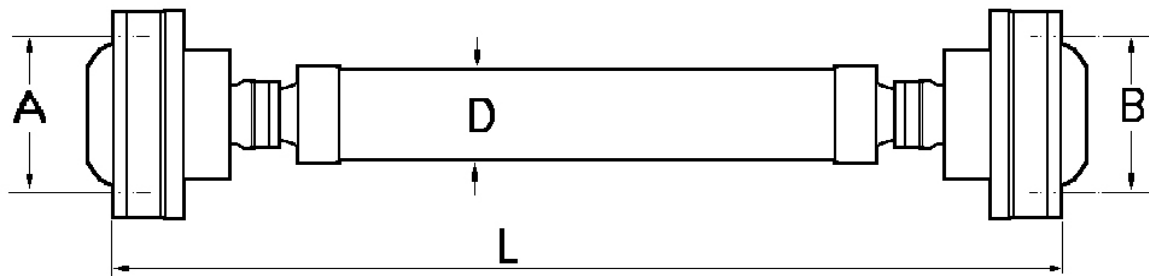
Suzuki Samurai

GKN Part No.	OE-Part.No.	L	A	L1	B	4xØ	spline
28046	27103-84C00	508	45	40	79,19	4 x 8,2	24 x 23 x M1
28047	27102-D-80401	732	45	40	79,19	4 x 8,2	24 x 23 x M1
28048	27102-84C00	714	45	40	79,19	4 x 8,2	24 x 23 x M1
28049	27103-D-8041	525	45	40	79,19	4 x 8,2	24 x 23 x M1
28050	27103-84C10	853	45	40	79,19	4 x 8,2	24 x 23 x M1



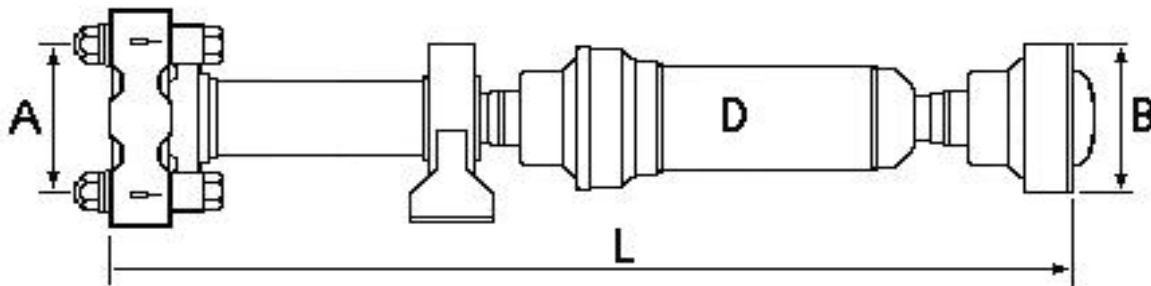
Suzuki Vitara

GKN Part No.	OE-Part.No.	L	A	L1	L2	B	4xØ	spline
28040	27101-85C01	680	40	134	40	84,86	4 x 10,1	16 x M1,5
28041	27102-B-60A01	896	40	134	40	84,86	4 x 10,1	24 x M1
28045	27102-60A11	896	40	134	40	84,86	4 x 10,1	27x16 x M1,5



Volkswagen Touareg

GKN Part No.	OE-Part.No.	L	A	B	D	notice
28051	7L6 521 101 C/E/G	694,3	86	86	50	
28052	7L0 521 101 A/B/C/D 7L6 521 101 D/F	631,9	86	86	50	

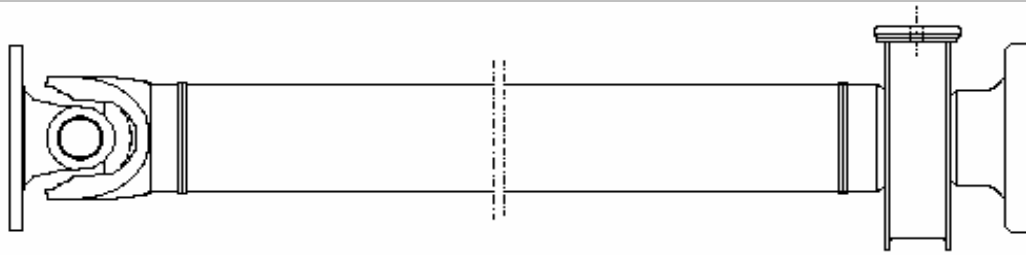


Volkswagen Touareg

GKN Part No.	OE-Part.No.	L	A	B	D	notice
28054	7L6 521 102 G 7L0 521 102 B/D/G/H	1246,4	110	99,5	70	
28055	7L6 521 102 B/C/ D/E/F/H	1185,2	110	99,5	70	

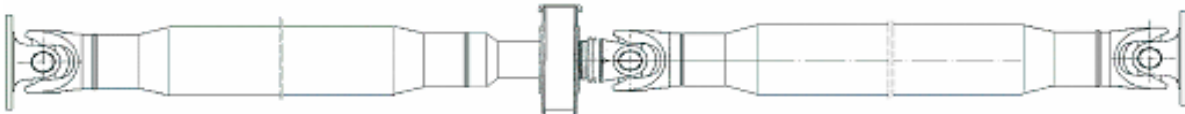
Light Vehicle Propshafts

Volkswagen



Volkswagen LT

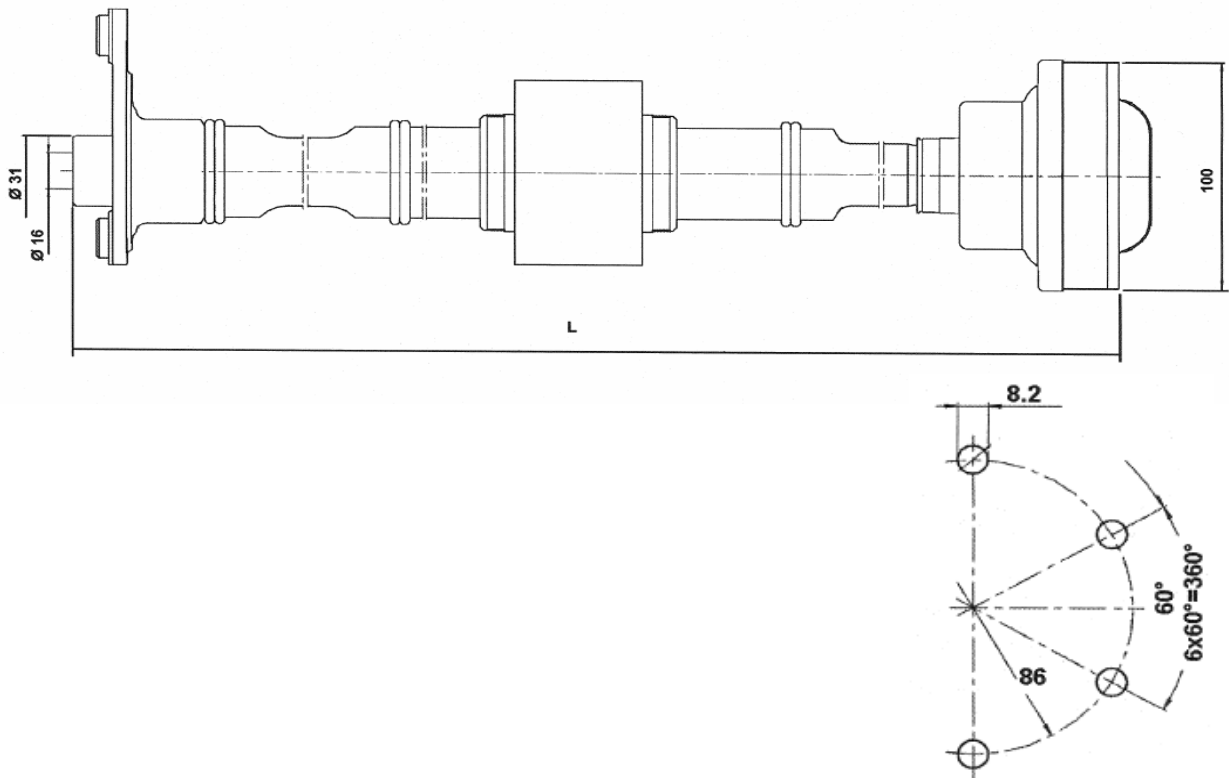
GKN part No.	OE-part No.	L	flange			Ø tube	notice
			Ø	number of holes	Ø hole		
27980	2D0 521 107H	950	120	4	10		NEW !
27943	2D0 521 107 F	950	120	4	10	70	NEW !
27941	2D0 521 107 N	853	120	4	10	70	NEW !



Volkswagen LT

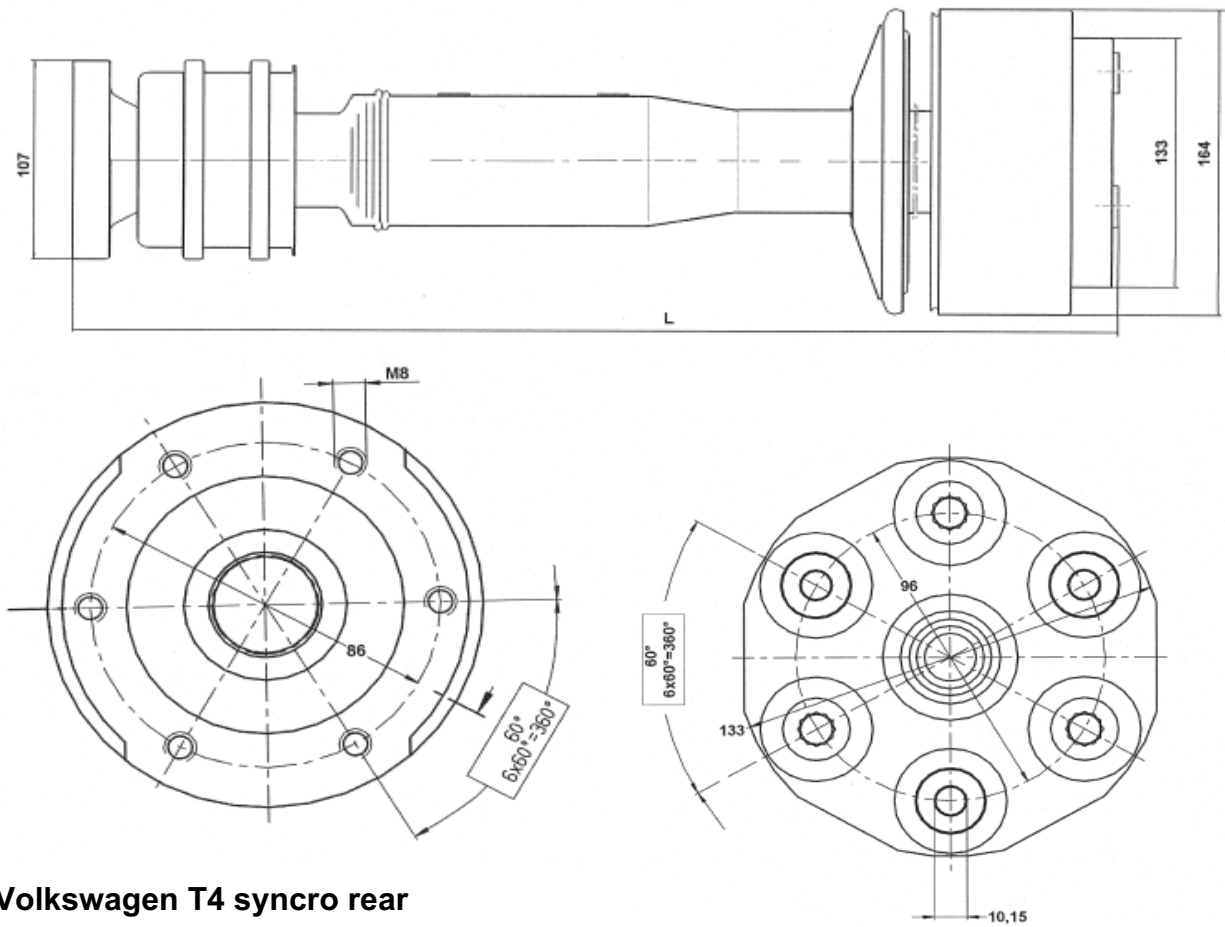
GKN part No.	OE-part No.	L	flange			Ø tube	notice
			Ø	number of holes	Ø hole		
27949	2D0 521 101 AR	2076	120	4	10	70	NEW !
27951	2D0 521 101 AA	2176	120	4	10	70	NEW !
27953	2D0 521 101 N	2178	120	4	10	90	NEW !
27957	2D0 521 101 AL	2248	120	4	10	70	NEW !
27959	2D0 521 101 AD	1775	120	4	10	70 / 90	NEW !
27960	2D0 521 101 AJ	2248	120	4	10	90	NEW !
27961	2D0 521 101 AF	1598	120	4	10		NEW !
27971	2D0 521 101 AM	2724	120	4	10	90 / 120	NEW !

tube diameter may vary



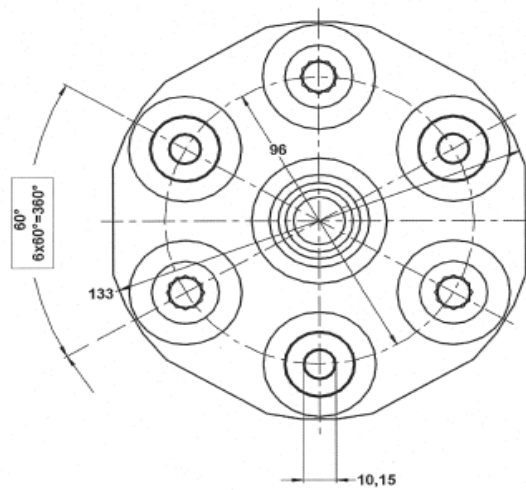
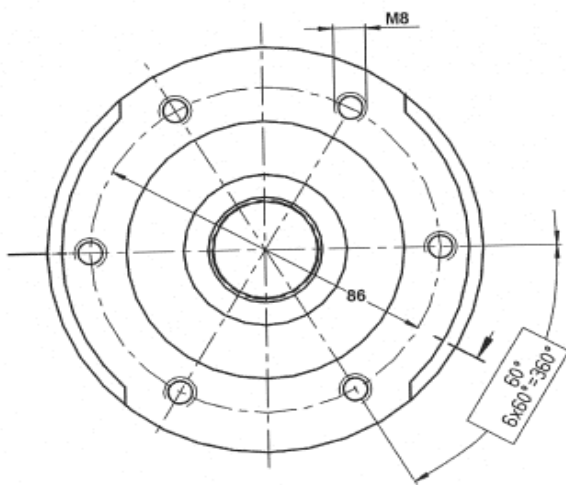
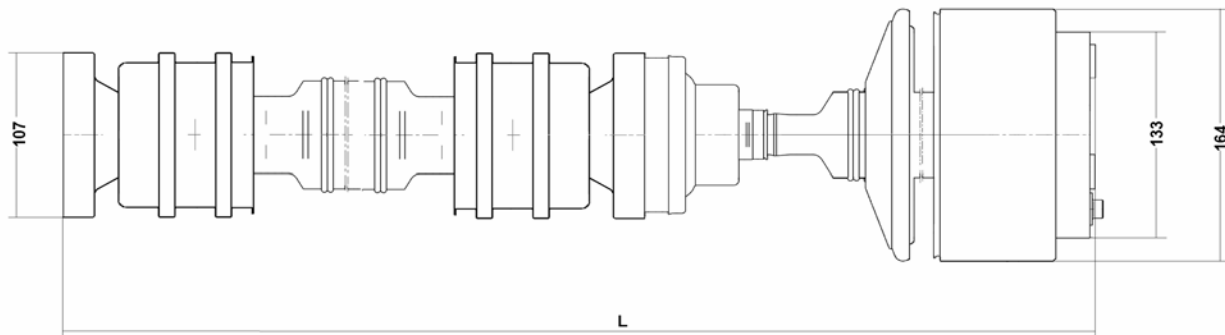
Volkswagen T4 syncro front

GKN part No.	OE-part No.	L	notice
28103	7D0 521 103	955	NEW!



Volkswagen T4 syncro rear

GKN part No.	OE-part No.	L	notice
28104	7D0 521 109	1621	NEW !

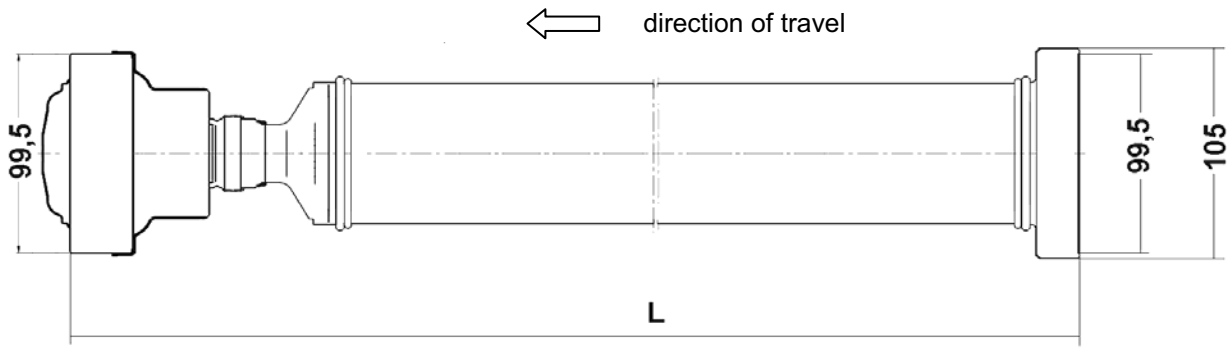


Volkswagen T4 syncro

GKN part No.	OE-part No.	L	notice
21105	7D0 521 102 A	2020	Long weel base NEW !

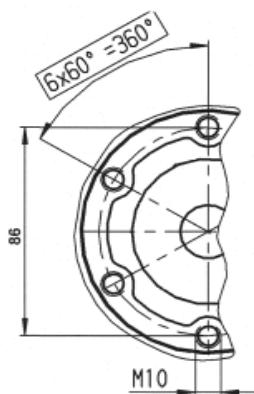
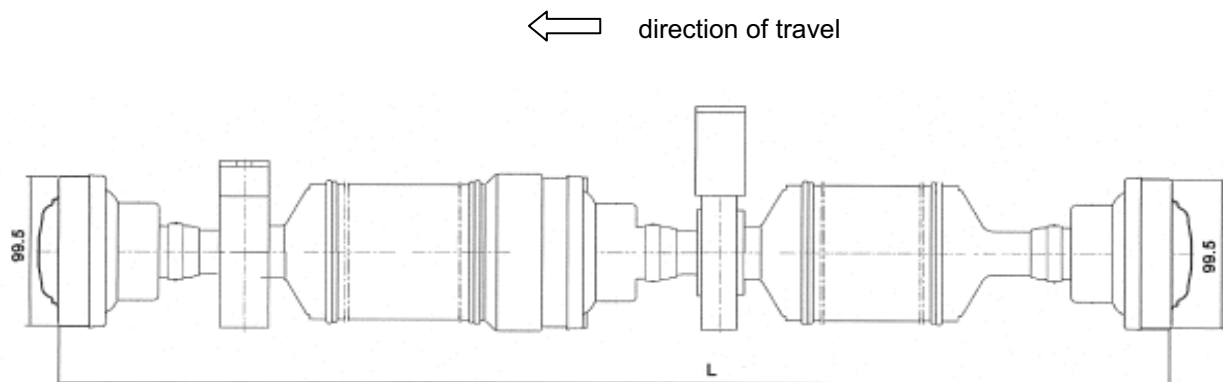
Light Vehicle Propshafts

Volkswagen



Volkswagen T5 syncro

GKN part No.	OE-part No.	L	notice
28106	7H0 521 101	820	NEW !

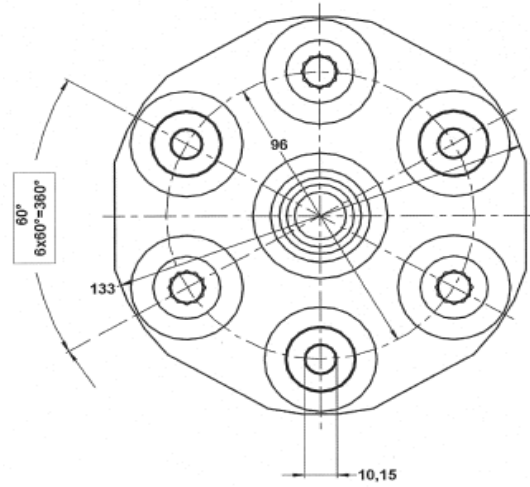
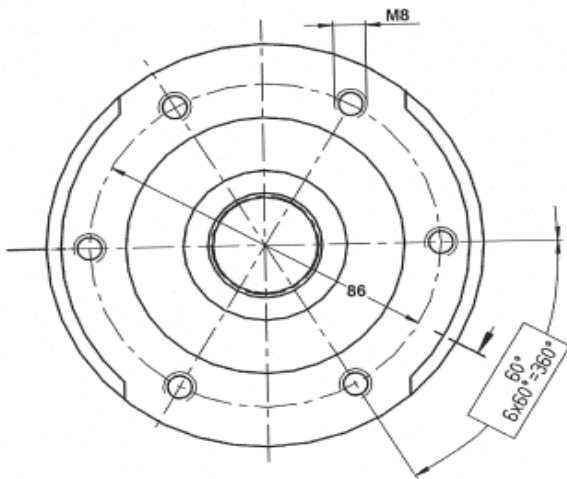
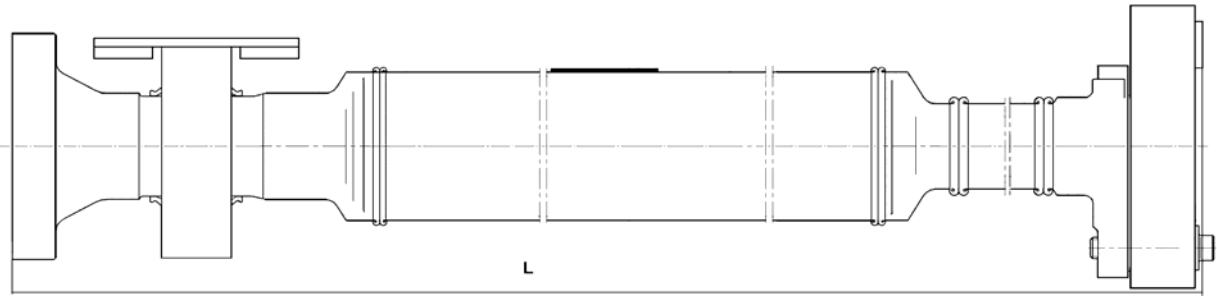


Volkswagen T5 syncro

GKN part No.	OE-part No.	L	notice
28107	7H3 521 102 A	1947	NEW !
28108	7H1 521 102 A	1582	NEW !

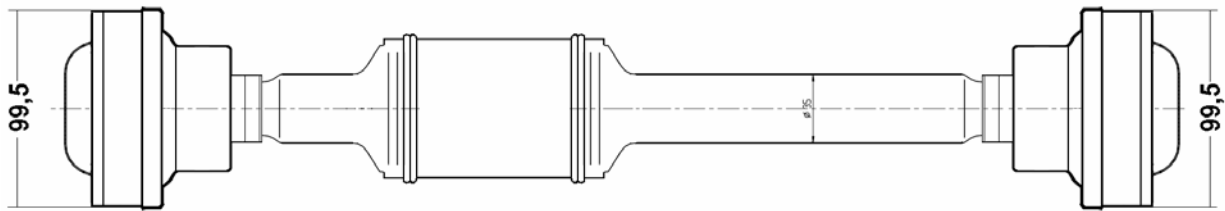
Light Vehicle Propshafts

Volkswagen



Volkswagen Sharan syncro

GKN part No.	OE-part No.	L	notice
28109	7M3 521 103 B	1570	NEW !



Volkswagen Sharan syncro

GKN part No.	OE-part No.	L	notice
28110	7M3 521 102	873	NEW!

GKN Driveline Industrial & Distribution Services

Headquarters:

GKN Service International GmbH

Nussbaumweg 19-21

51503 Rösraht / Germany

www.gknservice.com

© GKN Driveline. All rights reserved.